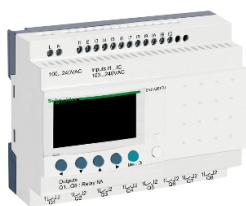


# Bảng thông số sản phẩm

Thông số kỹ thuật



compact smart relay, Zelio Logic  
SR2 SR3, 20 IO, 100 to 240V AC,  
no clock, display

SR2A201FU

## Main

Range of product	Zelio Logic
product or component type	Compact smart relay

## Complementary

Local display	With
Number of control scheme lines	0...240 with ladder programming
Cycle time	6...90 ms
Backup time	10 years at 25 °C
Clock drift	12 min/year at 0...55 °C 6 s/month at 25 °C
Checks	Program memory on each power up
[Us] rated supply voltage	100...240 V AC
Supply voltage limits	85...264 V
Supply frequency	50/60 Hz
Maximum supply current	100 mA at 100 V (without extension) 50 mA at 240 V (without extension)
Power consumption in VA	11 VA without extension
Isolation voltage	1780 V
Protection type	Against inversion of terminals (control instructions not executed)
Discrete input number	12
Discrete input voltage	100...240 V AC
Discrete input current	0.6 mA
Discrete input frequency	47...53 Hz 57...63 Hz
Voltage state 1 guaranteed	$\geq 79$ V for discrete input
Voltage state 0 guaranteed	$\leq 40$ V for discrete input
Current state 1 guaranteed	$\geq 0.17$ mA (discrete input)
Current state 0 guaranteed	$\leq 0.5$ mA (discrete input)
Analogue input number	0
Input impedance	350 kOhm for discrete input
Number of outputs	8 relay
Output voltage limits	5...30 V DC (relay output) 24...250 V AC

<b>Contacts type and composition</b>	NO for relay output
<b>Output thermal current</b>	8 A for all 8 outputs for relay output
<b>Electrical durability</b>	AC-12: 500000 cycles at 230 V, 1.5 A for relay output conforming to IEC 60947-5-1 AC-15: 500000 cycles at 230 V, 0.9 A for relay output conforming to IEC 60947-5-1 DC-12: 500000 cycles at 24 V, 1.5 A for relay output conforming to IEC 60947-5-1 DC-13: 500000 cycles at 24 V, 0.6 A for relay output conforming to IEC 60947-5-1
<b>Switching capacity in mA</b>	>= 10 mA at 12 V (relay output)
<b>Operating rate in Hz</b>	0.1 Hz (at Ie) for relay output 10 Hz (no load) for relay output
<b>Mechanical durability</b>	10000000 cycles for relay output
<b>[Uimp] rated impulse withstand voltage</b>	4 kV conforming to EN/IEC 60947-1 and EN/IEC 60664-1
<b>Clock</b>	Without
<b>Response time</b>	50 ms with ladder programming (from state 0 to state 1) for discrete input 50 ms with ladder programming (from state 1 to state 0) for discrete input 50...255 ms with FBD programming (from state 0 to state 1) for discrete input 50...255 ms with FBD programming (from state 1 to state 0) for discrete input 10 ms (from state 0 to state 1) for relay output 5 ms (from state 1 to state 0) for relay output
<b>Connections - terminals</b>	Screw terminals, 1 x 0.2...1 x 2.5 mm <sup>2</sup> (AWG 25...AWG 14) semi-solid Screw terminals, 1 x 0.2...1 x 2.5 mm <sup>2</sup> (AWG 25...AWG 14) solid Screw terminals, 1 x 0.25...1 x 2.5 mm <sup>2</sup> (AWG 24...AWG 14) flexible with cable end Screw terminals, 2 x 0.2...2 x 1.5 mm <sup>2</sup> (AWG 24...AWG 16) solid Screw terminals, 2 x 0.25...2 x 0.75 mm <sup>2</sup> (AWG 24...AWG 18) flexible with cable end
<b>Tightening torque</b>	0.5 N.m
<b>Overvoltage category</b>	III conforming to IEC 60664-1
<b>net weight</b>	0.38 kg

## Environment

<b>Immunity to microbreaks</b>	10 ms
<b>Product certifications</b>	GL C-Tick CSA UL GOST
<b>Standards</b>	IEC 61000-4-12 IEC 60068-2-6 Fc IEC 61000-4-5 IEC 60068-2-27 Ea IEC 61000-4-6 level 3 IEC 61000-4-3 IEC 61000-4-4 level 3 IEC 61000-4-11 IEC 61000-4-2 level 3
<b>IP degree of protection</b>	IP20 (terminal block) conforming to IEC 60529 IP40 (front panel) conforming to IEC 60529
<b>Environmental characteristic</b>	EMC directive conforming to IEC 61000-6-2 EMC directive conforming to IEC 61000-6-3 EMC directive conforming to IEC 61000-6-4 EMC directive conforming to IEC 61131-2 zone B Low voltage directive conforming to IEC 61131-2
<b>Disturbance radiated/conducted</b>	Class B conforming to EN 55022-11 group 1
<b>Pollution degree</b>	2 conforming to IEC 61131-2
<b>Ambient air temperature for operation</b>	-20...40 °C in non-ventilated enclosure conforming to IEC 60068-2-1 and IEC 60068-2-2 -20...55 °C conforming to IEC 60068-2-1 and IEC 60068-2-2
<b>Ambient air temperature for storage</b>	-40...70 °C

<b>Operating altitude</b>	2000 m
<b>Maximum altitude transport</b>	3048 m
<b>Relative humidity</b>	95 % without condensation or dripping water

## Packing Units

<b>Unit Type of Package 1</b>	PCE
<b>Number of Units in Package 1</b>	1
<b>Package 1 Height</b>	7.000 cm
<b>Package 1 Width</b>	10.000 cm
<b>Package 1 Length</b>	13.500 cm
<b>Package 1 Weight</b>	364.000 g
<b>Unit Type of Package 2</b>	S03
<b>Number of Units in Package 2</b>	20
<b>Package 2 Height</b>	30.000 cm
<b>Package 2 Width</b>	30.000 cm
<b>Package 2 Length</b>	40.000 cm
<b>Package 2 Weight</b>	7.755 kg

## Contractual warranty

<b>Warranty</b>	18 months
-----------------	-----------

## Bền vững

Nhãn **Green Premium™** là cam kết của Schneider Electric trong việc cung cấp sản phẩm với hiệu suất môi trường tốt nhất. Green Premium cam kết tuân thủ các quy định mới nhất, minh bạch về tác động môi trường, cũng như các sản phẩm tuần hoàn và CO<sub>2</sub> thấp.

**Hướng dẫn đánh giá tính bền vững của sản phẩm** là tài liệu kỹ thuật phổ thông giúp làm rõ các tiêu chuẩn nhãn sinh thái toàn cầu và cách diễn giải việc khai báo môi trường.

[Tìm hiểu thêm về Green Premium >](#)

[Hướng dẫn đánh giá về sự bền vững của sản phẩm >](#)



Minh bạch [RoHS/REACH](#)

## Hiệu suất sức khỏe

Mercury Free

Rohs Exemption Information [Yes](#)

Pvc Free

## Chứng nhận & Tiêu chuẩn

Reach Regulation

[REACH Declaration](#)

Eu Rohs Directive

Pro-active compliance (Product out of EU RoHS legal scope)

China Rohs Regulation

[China RoHS declaration](#)

Environmental Disclosure

[Product Environmental Profile](#)

Weee

The product must be disposed on European Union markets following specific waste collection and never end up in rubbish bins

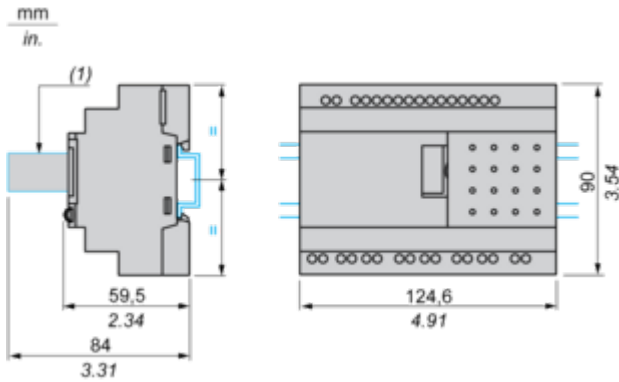
Circularity Profile

[End of Life Information](#)

## Dimensions Drawings

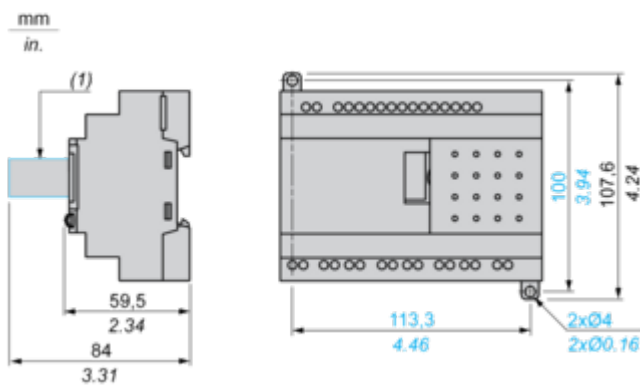
### Compact and Modular Smart Relays

#### Mounting on 35 mm/1.38 in. DIN Rail



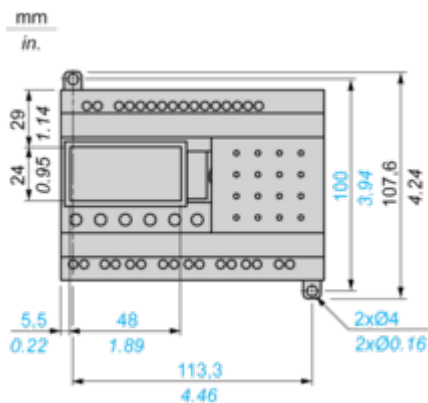
(1) With SR2USB01 or SR2BTC01

#### Screw Fixing (Retractable Lugs)



(1) With SR2USB01 or SR2BTC01

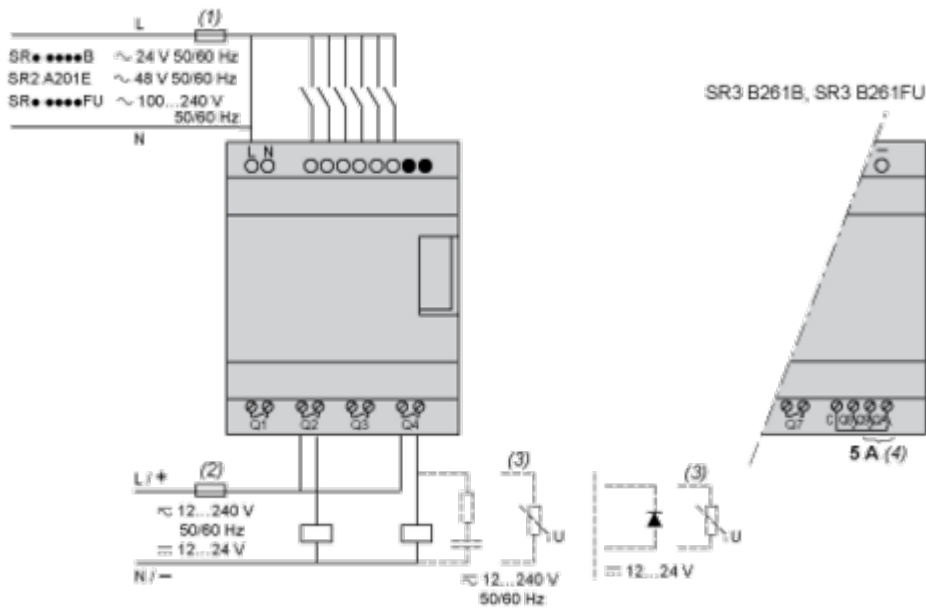
#### Position of Display



## Connections and Schema

### Connection of Smart Relays on AC Supply

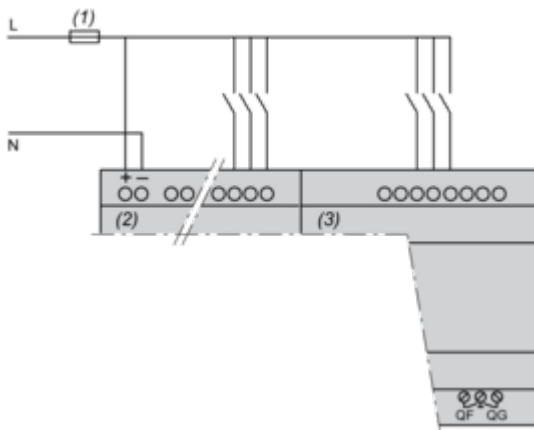
#### SR••••1B, SR••••1FU



- (1) 1 A quick-blow fuse or circuit-breaker.
- (2) Fuse or circuit-breaker.
- (3) Inductive load.
- (4) Q9 and QA: 5 A (max. current in terminal C: 10 A).

#### With Discrete I/O Extension Module

SR3B•••B + SR3XT•••B, SR3B•••FU + SR3XT•••FU



- (1) 1 A quick-blow fuse or circuit-breaker.

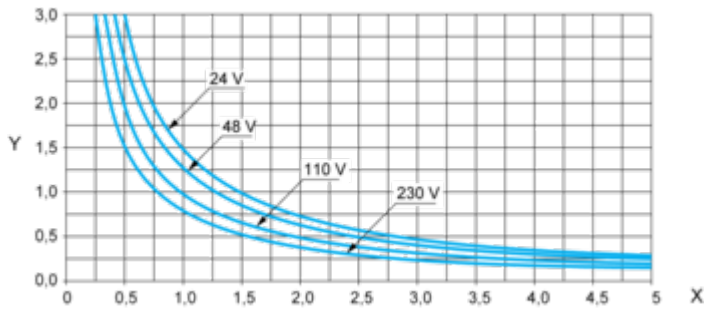
**NOTE:** QF and QG: 5 A for SR3XT141••

## Performance Curves

### Compact and Modular Smart Relays

#### Electrical Durability of Relay Outputs

(in millions of operating cycles, conforming to IEC/EN 60947-5-1)  
AC-12 (1)

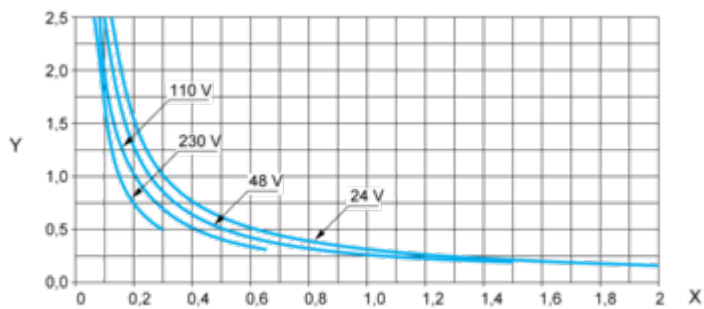


X: Current (A)

Y: Millions of operating cycles

(1) AC-12: switching resistive loads and opto-coupler isolated solid-state loads,  $\cos \geq 0.9$ .

AC-14 (1)

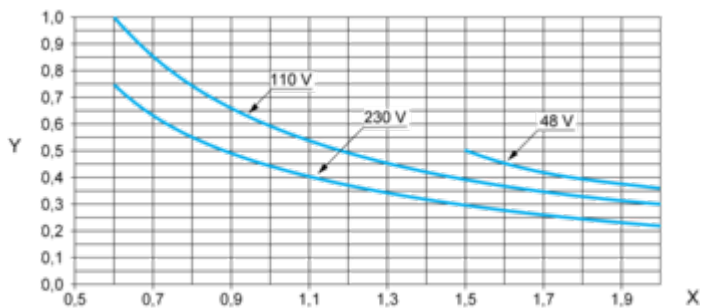


X: Current (A)

Y: Millions of operating cycles

(1) AC-14: switching small electromagnetic loads  $\leq 72$  VA, make:  $\cos = 0.3$ , break:  $\cos = 0.3$ .

AC-15 (1)



X: Current (A)

Y: Millions of operating cycles

(1) AC-15: switching electromagnetic loads  $\geq 72$  VA, make:  $\cos = 0.7$ , break:  $\cos = 0.4$ .